

customer specific

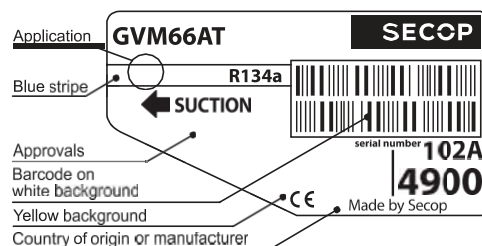
SECOP

GVM66AT

Energy-optimized Tropical Compressor

R134a

220-240V 50Hz



General

| | |
|-----------------------|---------------------|
| Code number | 102A4900 |
| Approvals | CB - IEC 60335-2-34 |
| Compressors on pallet | 125 |

Application

| Application | LBP | |
|--|-----|----------------------------|
| Frequency | Hz | 50 60 |
| Evaporating temperature | °C | -35 to -10 -35 to -10 |
| Voltage range | V | 187 - 254 207 - 254 |
| Max. condensing temperature continuous (short) | °C | 60 (70) 60 (70) |
| Max. winding temperature continuous (short) | °C | 125 (135) 125 (135) |

Cooling requirements

| Frequency | Hz | 50 | | | 60 | | |
|---|----|-----|-----|-----|-----|-----|-----|
| Application | | LBP | MBP | HBP | LBP | MBP | HBP |
| 32°C | | S | - | - | S | - | - |
| 38°C | | S | - | - | S | - | - |
| 43°C | | S | - | - | S | - | - |
| Remarks on application: Run capacitor 4 µF strongly recommended at 60Hz LST | | | | | | | |

- S = Static cooling normally sufficient
- O = Oil cooling
- F1 = Fan cooling 1.5 m/s (compressor compartment temperature equal to ambient temperature)
- F2 = Fan cooling 3.0 m/s necessary
- SG = Suction gas cooling normally sufficient
- = not applicable in this area

Motor

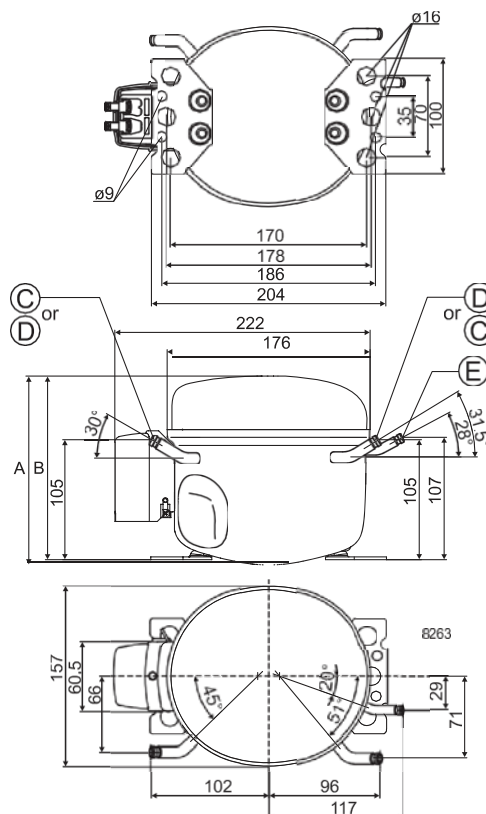
| Motor type | RSIR/RSCR/CSIR | |
|---|----------------|---------------|
| LRA (rated after 4 sec. UL984), HST LST | A | 8.9 7.6 |
| Cut in Current, HST LST | A | 8.9 11.0 |
| Resistance, main start winding (25°C) | Ω | 9.7 25.0 |

Design

| | | |
|-------------------------------------|-----------------|-------------------|
| Displacement | cm ³ | 6.49 |
| Oil quantity (type) | cm ³ | 180 (polyolester) |
| Maximum refrigerant charge | g | 400 |
| Free gas volume in compressor | cm ³ | 1790 |
| Weight without electrical equipment | kg | 8.3 |

Dimensions

| Height | mm | A | 173 |
|----------------------|--------------------------|----|---------------------------|
| | | B | 169 |
| | | B1 | - |
| | | B2 | - |
| Suction connector | location/I.D. mm angle | C | 6.2 30° |
| | material comment | | Copper Rubber plug |
| Process connector | location/I.D. mm angle | D | 6.2 31.5° |
| | material comment | | Copper Rubber plug |
| Discharge connector | location/I.D. mm angle | E | 5.0 28° |
| | material comment | | Copper Rubber plug |
| Oil cooler connector | location/I.D. mm angle | F | - |
| | material comment | | - |
| Connector tolerance | I.D. mm | | ±0.09, on 5.0 +0.12/+0.20 |
| Remarks: | | | |



EN 12900 Household (CECOMAF) 220V, 50Hz, 2 W PTC consumption incl., static cooling

| | | | | | | | | | | | | | | | | | |
|--------------------|-----|-----|------|------|------|-------|------|------|------|------|----|---|---|-----|----|----|----|
| Evap. temp in °C | -45 | -40 | -35 | -30 | -25 | -23.3 | -20 | -15 | -10 | -6.7 | -5 | 0 | 5 | 7.2 | 10 | 15 | 20 |
| Capacity in W | | | 71.6 | 99.5 | 134 | 147 | 176 | 228 | 290 | | | | | | | | |
| Power cons. in W | | | 107 | 125 | 142 | 148 | 160 | 179 | 200 | | | | | | | | |
| Current cons. in A | | | 1.07 | 1.11 | 1.17 | 1.19 | 1.23 | 1.31 | 1.39 | | | | | | | | |
| COP in W/W | | | 0.67 | 0.80 | 0.94 | 0.99 | 1.10 | 1.27 | 1.45 | | | | | | | | |

EN 12900 Household (CECOMAF) 220V, 50Hz, RC 4µF, 2W PTC consumption incl., static cooling

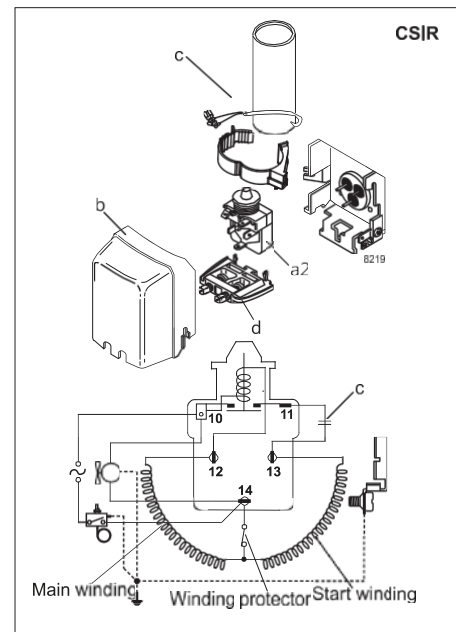
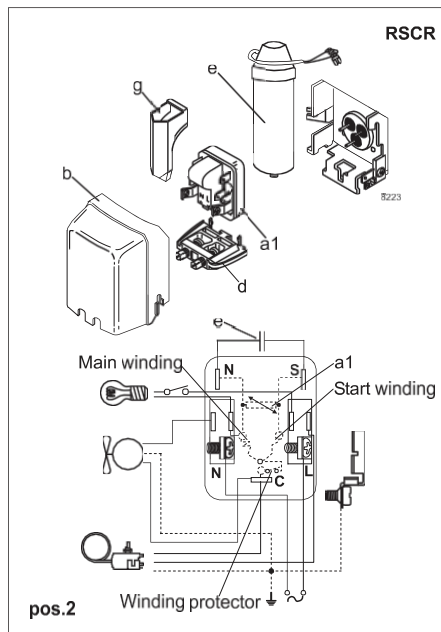
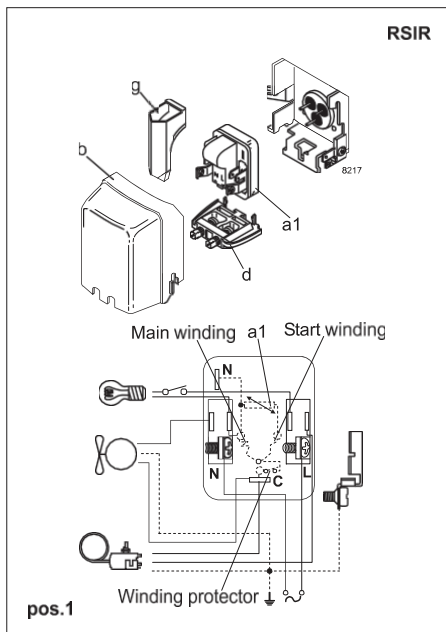
| | | | | | | | | | | | | | | | | | |
|--------------------|-----|-----|------|------|------|-------|------|------|------|------|----|---|---|-----|----|----|----|
| Evap. temp in °C | -45 | -40 | -35 | -30 | -25 | -23.3 | -20 | -15 | -10 | -6.7 | -5 | 0 | 5 | 7.2 | 10 | 15 | 20 |
| Capacity in W | | | 71.6 | 99.5 | 134 | 147 | 176 | 228 | 290 | | | | | | | | |
| Power cons. in W | | | 99.5 | 116 | 133 | 138 | 149 | 166 | 186 | | | | | | | | |
| Current cons. in A | | | 0.69 | 0.74 | 0.80 | 0.82 | 0.87 | 0.94 | 1.03 | | | | | | | | |
| COP in W/W | | | 0.72 | 0.85 | 1.01 | 1.07 | 1.19 | 1.37 | 1.56 | | | | | | | | |

ASHRAE LBP 220V, 50Hz, 2W PTC consumption incl., static cooling

| | | | | | | | | | | | | | | | | | |
|--------------------|-----|-----|------|------|------|-------|------|------|------|------|----|---|---|-----|----|----|----|
| Evap. temp in °C | -45 | -40 | -35 | -30 | -25 | -23.3 | -20 | -15 | -10 | -6.7 | -5 | 0 | 5 | 7.2 | 10 | 15 | 20 |
| Capacity in W | | | 88.7 | 123 | 166 | 183 | 218 | 282 | 359 | | | | | | | | |
| Power cons. in W | | | 107 | 125 | 142 | 148 | 160 | 178 | 199 | | | | | | | | |
| Current cons. in A | | | 1.07 | 1.11 | 1.17 | 1.19 | 1.23 | 1.30 | 1.38 | | | | | | | | |
| COP in W/W | | | 0.83 | 0.98 | 1.17 | 1.23 | 1.37 | 1.58 | 1.80 | | | | | | | | |

ASHRAE LBP 220V, 60Hz, RC 4µF, 2W PTC consumption incl., static cooling

| | | | | | | | | | | | | | | | | | |
|--------------------|-----|-----|------|------|------|-------|------|------|------|------|----|---|---|-----|----|----|----|
| Evap. temp in °C | -45 | -40 | -35 | -30 | -25 | -23.3 | -20 | -15 | -10 | -6.7 | -5 | 0 | 5 | 7.2 | 10 | 15 | 20 |
| Capacity in W | | | 104 | 145 | 195 | 214 | 256 | 331 | 422 | | | | | | | | |
| Power cons. in W | | | 114 | 133 | 151 | 160 | 169 | 189 | 211 | | | | | | | | |
| Current cons. in A | | | 0.58 | 0.65 | 0.73 | 0.76 | 0.82 | 0.93 | 1.04 | | | | | | | | |
| COP in W/W | | | 0.92 | 1.09 | 1.29 | 1.37 | 1.52 | 1.75 | 2.00 | | | | | | | | |



| Accessories for | GVM66AT | Figure | Code number | Test conditions | EN 12900/CECOMAF | ASHRAE |
|---------------------------|-------------------------|----------|-------------|-----------------------------|------------------|--------------------|
| PTC starting device | 6.3 mm spade connectors | a1 | 103N0011 | Condensing temperature | 55°C | 54.4°C |
| | 4.8 mm spade connectors | (pos. 1) | 103N0018 | | | |
| PTC starting device | 6.3 mm spade connectors | a1 | 103N0016 | Ambient temperature | 32°C | 32°C |
| | 4.8 mm spade connectors | (pos. 2) | 103N0021 | Suction gas temperature | 32°C | 32°C |
| Starting relay | 6.3 mm spade connectors | a2 | 117U6016 | Liquid temperature | no subcooling | 32°C |
| Start capacitor 60 µF | 6.3 mm spade connectors | c | 117U5014 | Mounting accessories | | Code number |
| Cover | | b | 103N2010 | Bolt joint for one comp. | Ø: 16 mm | 118-1917 |
| Cord relief | | d | 103N1010 | Bolt joint in quantities | Ø: 16 mm | 118-1918 |
| Run capacitor | 6.3 mm spade connectors | e | 117-7117 | Snap-on in quantities | Ø: 16 mm | 118-1919 |
| 4 µF (optional) | 4.8 mm spade connectors | e | 117-7119 | | | |
| Protection screen for PTC | | g | 103N0476 | | | |

Secop can accept no responsibility for possible errors in catalogues, brochures and other printed material. Secop reserves the right to alter its products without notice. This also applies to products already on order provided that such alterations can be made without subsequential changes being necessary in specifications already agreed. All trademarks in this material are property of the respective companies. Secop and the Secop logotype are trademarks of Secop GmbH. All rights reserved. www.secop.com